

# NetWay161G

## 16-Port PoE Midspan Injector



Altronix NetWay161G is a 16-port midspan in a 1U rack enclosure. It provides PoE/PoE+ (up to 30W power per port), and passes data at 10/100/1000 Mbps at distances up to 100m. Features also include an integral battery charger for applications requiring backup.

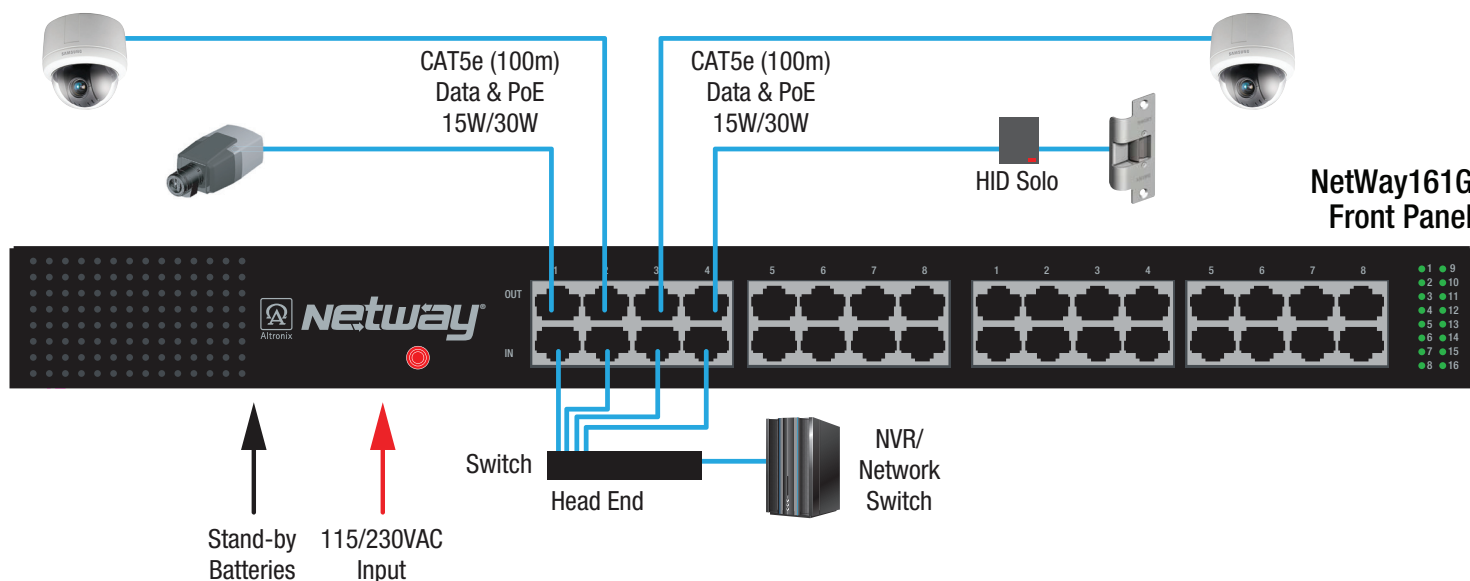


NetWay161G

### Key Features

- IEEE 802.3af (15W) and IEEE 802.3at (30W) compliant
- Sixteen (16) ports for cameras/edge devices over ethernet
- Speed: 10/100/1000 Mbps
- 30W maximum power per port
- Port status LEDs
- Auto detection and protection of legacy non-PoE cameras/devices
- Built-in battery charger
- CE European Conformity
- Lifetime Warranty

### Typical Application



### Lifetime Warranty

# NetWay161G

16-Port PoE Midspan Injector



## Specifications

### Input

115VAC, 60Hz, 5.5A or 230VAC, 50/60Hz, 3.0A

### Power

Unit provides PoE / PoE+  
30W full power per port  
Total power: 480W

### Ethernet

Connectivity: RJ45, auto-crossover  
Wire type: 4-pair CAT5e or better structured cable  
Distance: up to 100m  
Speed: 10/100/1000 BaseT, half/full duplex, auto negotiation

### Indicators (LED)

Yellow and Green LED (by RJ45 jack):  
IP Link status, 10/100/1000 Base-T/active

Green LED Port status  
Red LED Power

### Battery Charging

Type Sealed lead acid or gel type  
Failover Upon AC loss, instantaneous  
Batteries are sold separately. Separate enclosure is required

### Agency Listings

CE European Conformity

### Physical and Environmental

#### Dimensions (H x W x D)

Enclosure:  
1.625" x 19.125" x 8.5" (41.3mm x 486mm x 216mm)  
Shipping:  
20.25" x 12.5" x 7.25" (514.4mm x 317.5mm x 184.2mm)

#### Weight (approx.)

Product Weight: 6.17 lb. (2.8 kg)  
Shipping Weight: 7.5 lb. (3.4 kg)

#### Temperature

Operating: -20°C to 50°C (-4°F to 122°F)  
Storage: -20° to 70°C (-4°F to 158°F)

Relative Humidity 85% +/- 5%

Operating Altitude: Up to 2,000m

BTU/Hr. (approx.): 245 BTU/Hr.

## Accessories (order separately)

### Repeaters:



NetWayXT

**NetWayXT  
PoE Repeater Module**  
Extends data (video) for 100m



NetWayXTX

**NetWayXTX  
PoE+ Repeater Module**  
Extends data (video) for 100m

### Battery Backup:



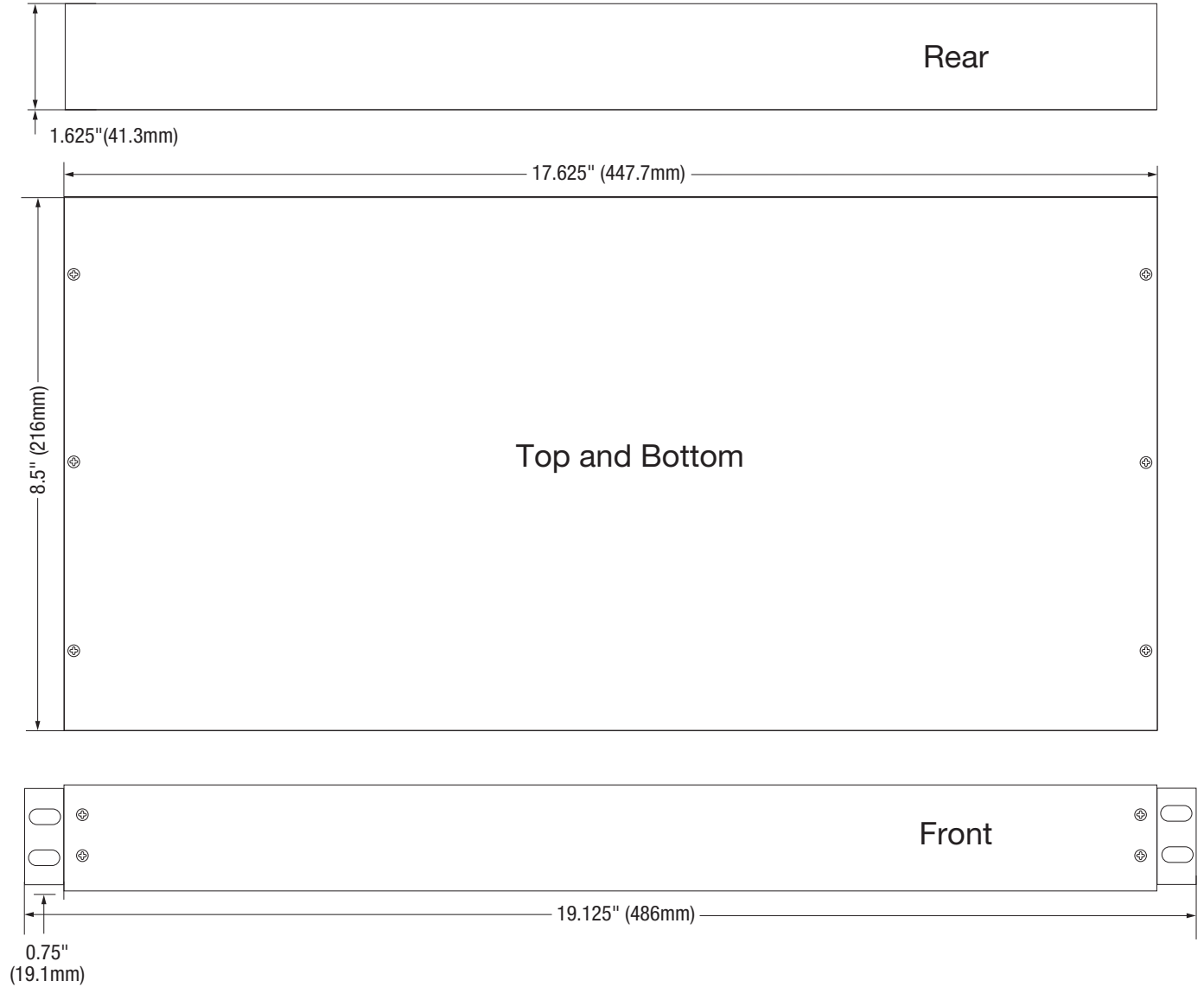
RE2

**RE2 – Rack Mount Battery Enclosure**  
Accommodates up to four (4) 12VDC/7AH batteries

### Lifetime Warranty

**Dimensions and Drawing**

Enclosure Dimensions (H x W x D approximate)  
1.625" x 19.125" x 8.5" (41.3mm x 486mm x 216mm)



**Lifetime Warranty**