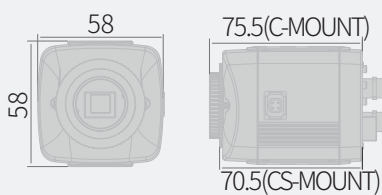


# Analog Camera

## KPC-CN6360xU

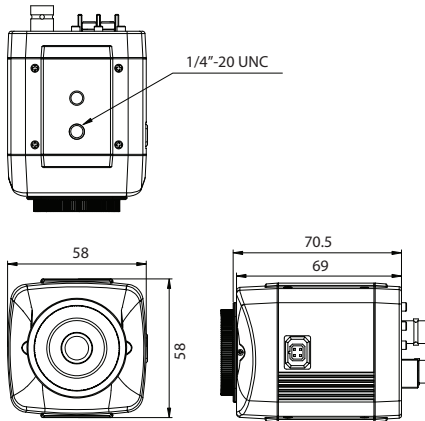
- 1/3.2" 1.3M SONY STARVIS CMOS
- Horizontal 800TV Lines
- CVBS(1.0Vp-p Composite 75Ω)
- C/CS Mount for lens
- WDR, 2DNR
- Mechanical Day&Night
- Box Camera



## Analog Camera

# KPC-CN6360xU

### Dimensions



## Specifications

<b>Image Sensor</b>	1/3.2" Exmor RS Progressive Scan SONY STARVIS CMOS	
<b>Effective Pixels</b>	1.27MP 1297(H) x 977(V)	
<b>Max. Video Resolution</b>	Horizontal 800TV Lines	
<b>Lens</b>	<b>Lens</b>	C/CS Mount lens
	<b>FOV</b>	Depend on lens
	<b>F-Stop</b>	Depend on lens
<b>Min.Illumination</b>	0.2 Lux (30IRE, F2.0, AGC MAX)	
<b>Gamma</b>	$\gamma=0.45$	
<b>IR LEDs</b>	-	
<b>IR Range</b>	-	
<b>White Balance</b>	ATW / PUSH / USER1 / USER2 / MANUAL / PUSH LOCK	
<b>Dynamic Range</b>	<b>WDR</b>	WDR / ATR / OFF
	<b>BLC</b>	OFF / HLC / BLC
	<b>Level</b>	138.1dB
<b>Electronic Shutter Speed</b>	AUTO or 1/60(50)~1/100,000	
<b>Digital Slow shutter(DSS)</b>	-	
<b>Auto Gain Control(AGC)</b>	MIN, 6, 12, 18, 24, 30, 36, 42, 48, MAX	
<b>Day&amp;Night</b>	AUTO/MANUAL (Mechanical ICR True D&N)	
<b>Noise Deduction</b>	2D-DNR (Y/C, Y, C, OFF)	
<b>Motion Detection</b>	-	

<b>Privacy Mask</b>	-
<b>Image Rotation</b>	OFF, H-FLIP, V-FLIP, HV-FLIP
<b>Defog</b>	OFF, AUTO
<b>Sharpness</b>	0-255
<b>OSD control</b>	Rear OSD button
<b>Language</b>	English, Spanish, Portuguese, German, Russian, French
<b>Video Output Mode</b>	CVBS(1.0Vp-p Composite 75Ω) NTSC/PAL
<b>General</b>	
<b>IP Rating</b>	-
<b>Operating Temperature</b>	-10°C~+50°C(Humidity less than 80%)
<b>Storage Temperature</b>	-20°C~+60°C(Humidity less than 80%)
<b>Dimension(mm)</b>	58X58X70.5mm
<b>Weight</b>	Approx.180g
<b>Power Source</b>	12VDC(±10%)
<b>Power Consumption</b>	12VDC(±10%), 130mA max.
<b>Option</b>	
<b>Power Source</b>	DUAL POWER(24VAC/12VDC)
<b>Power Consumption</b>	24VAC(±10%), Max.2.9W 12VDC(±10%), Max.180mA
<b>Lens</b>	C/CS Mount Lens