

IPC6TF4R4-AD-TPMSCR



4MP Active Deterrence Fixed Turret Network Camera

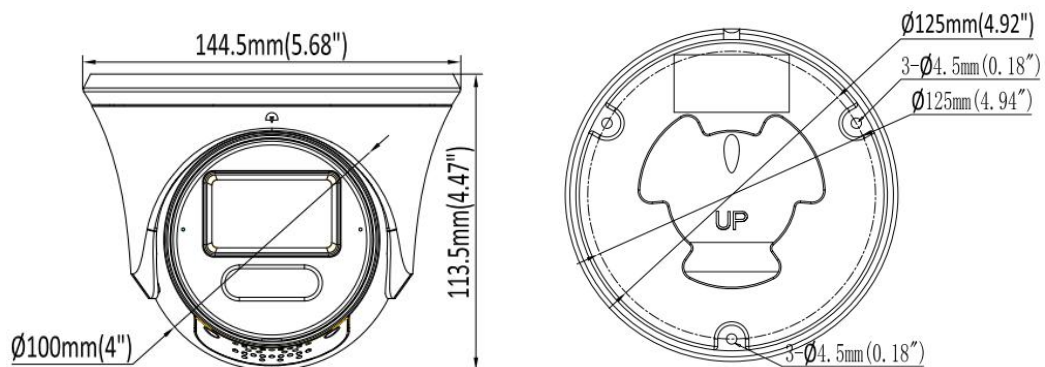
Empowered by deep learning algorithms, Homaxi iQSense technology brings human and vehicle targets classification alarms to front and back-end devices. The system focuses on human and vehicle targets, vastly improving alarm efficiency and effectiveness. With siren and strobe light, the camera can realize the deterrence and effective intervention.



Key Features

- High quality imaging with 4MP resolution
- Efficient H.265+ compression technology
- Clear imaging against strong backlight due to 120dB WDR technology
- Focus on human and vehicle targets classification based on deep learning
- Active warm light and audio alarm to warn intruders off
- Water and dust resistant (IP67)
- Built-in microphone & speaker, audio and alarm interface available
- NDAA Compliant

Dimensions



Available Model

- IPC6TF4R4-AD-TPMSCR
- IPC6TF4R4-AD-TPMSCR (B)




Specification

Camera	
Image Sensor	1/2.7" Progressive Scan CMOS Sensor
Min. Illumination	0.003 lux (Color), 0 lux (IR on)
Illumination Distance	30m (IR light) 30m (Warm light)
Strobe Light	N/A
Smart IR	Support
Pan/Tilt/Rotation Range	Pan: 0° ~ 360° Tilt: 0° ~ 75° Rotation: 0° ~ 360°
Lens	
Focal Length	2.8 mm
Aperture	F1.0
FOV	2.8 mm @ F1.0 Horizontal FOV: 103°, Vertical FOV: 55°, Diagonal FOV: 122°
Lens Mount	M12
DORI	
DORI	2.8 mm, D: 67 m, O: 25.9 m, R: 13 m, I: 6.5 m
Compression Standard	
Video Compression	H.264/H.264+/H.265/H.265+/MJPEG
H.264 Codec Profile	Base/Main/High profile
H.265 Codec Profile	Main Profile
Video Bit Rate	11 Kbps ~ 10Mbps
Triple Streams	Support
Audio Compression	G.711A, G.711U
Audio Bit Rate	64 Kbps
Image	
Max. Image Resolution	4M (2688 × 1520)
Main Stream	50Hz: 25fps 4M (2688 × 1520) 25fps 4M (2560 × 1440) , 25fps 1080P (1920 × 1080) 60Hz: 30fps 4M (2688 × 1520) 30fps 4M (2560 × 1440) , 30fps 1080P (1920 × 1080)
Sub Stream	50Hz: 25fps 720P (1280 × 720) 25fps D1 (704 × 576) , 25fps CIF (352 × 288) 60Hz: 30fps 720P (1280 × 720) 30fps D1 (704 × 480) , 30fps CIF (352 × 240)
Third Stream	50Hz: 25fps CIF (352 × 288) 60Hz: 30fps CIF (352 × 240)

Image Setting	Brightness/Contrast/Saturation/Hue/Sharpness
Shutter Time	Auto / Manual, 1/3~1/100000s
Day/Night	IR cut filter
Wide Dynamic Range	120 dB
Digital Noise Reduction	2D/3D DNR
BLC	Support
HLC	Support
ROI	Support
Rotate	Support
Smart Feature	
Basic Event	Motion detection (support alarm triggering by specified target types (human and vehicle)), Video Shelter
Smart Event	Line crossing, intrusion, region entrance, region exiting (support alarm triggering by specified target types (human and vehicle)) scene change detection, video blur detection
Face Detection	Support
Network	
Network Storage	NAS (NFS, SMB/CIFS) , ANR
Protocols	TCP/IP, ICMP, HTTP, HTTPS, FTP, DHCP, DNS, DDNS, RTP, RTSP, RTCP, NTP, IGMP, UPnP, SMTP, UPnP-TM, P2P
System Compatibility	Onvif (Profile S, Profile G, T) , SDK
Security	Password protection, complicated password, HTTPS encryption, IP address filter, basic and digest authentication for HTTP/HTTPS, TLS 1.1/1.2, WSSE and digest authentication for Open Network Video Interface
User	Up to 40 users
Web Browsers	Plug-in required live view: IE 10, IE 11 Local service: Chrome 57.0+, Firefox 52.0+
Mobile Surveillance	IOS, Android
Interface	
Communication Interface	1 RJ45 10 M/100 M self-adaptive Ethernet port
On-board Storage	Up to 256GB
MIC	Support
Speaker	Support
Audio I/O	1/1
Alarm I/O	1/1
Reset Button	Support
General	
Operating Conditions	(-40°C ~ 60°C) (-40°F ~ 140°F) Humidity 95% or less (non-condensing)

Power Supply	DC12V ± 25%
POE	PoE (802.3 af)
Power Consumption	MAX. 8 W
Protection Level	IP67
Material	Metal
Dimensions	Φ 5.68" × 4.47" (144.5 × 113.5mm)
Gross Weight	2.30 lb (1045 g)

Related Accessories

AC-JB04	AC-WM04	AC-PM03	AC-CMB02
Junction Box, Φ 142 × 46.5 MM	Wall Mount, Φ136 × 120 × 208 MM	Pole Mount, Φ 170 × 135.8 × 43.7 MM	Pendant Mount, Φ 116 × 734.5 MM
			

Please select accessories according to the installation scenario:

