

IPT651R5-Z32-AD-TPMSCR

5MP Active Deterrence PTZ Camera

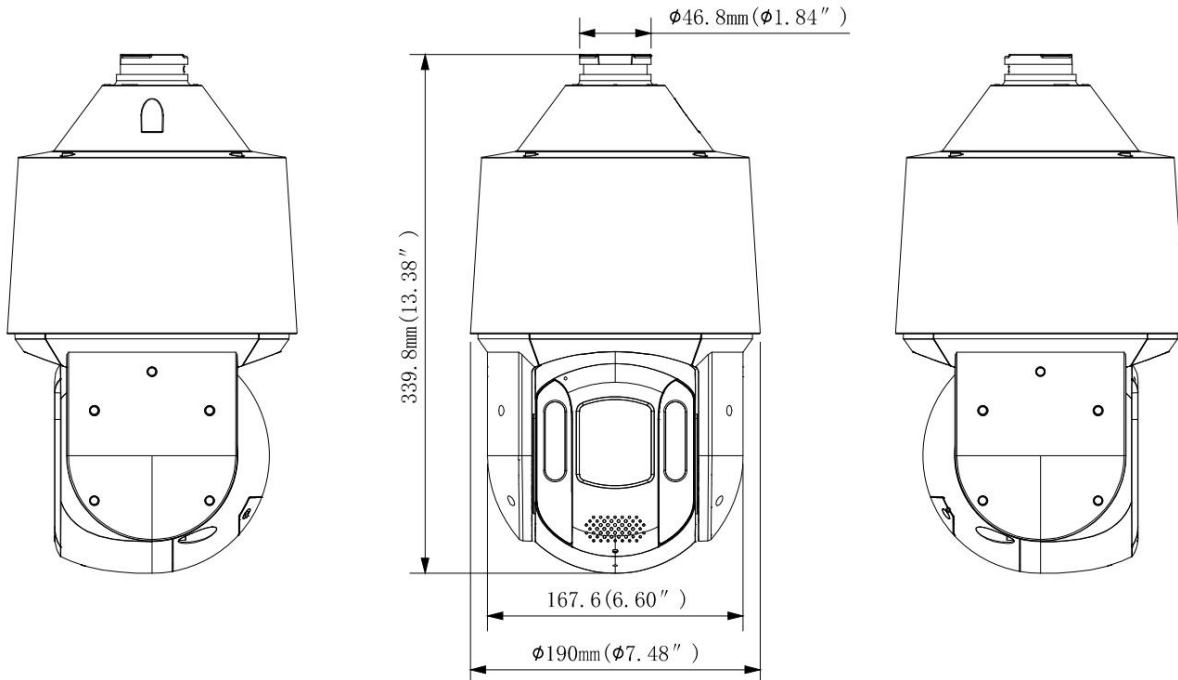
Pan-tilt-zoom camera with 5MP resolution, 32x optical zoom, providing great video quality in both overview and detail. The Active Deterrence PTZ camera goes a step further by combining IR light, warm light, and flashing red and blue lights. It not only monitors in all weather conditions but also actively prevents incidents. This PTZ camera can support auto-tracking AI function which focus on human and vehicle objects. With advanced deep learning algorithm, Homaxi PTZ camera supports intelligent functions, such as perimeter protection and smart motion detection to classify human and vehicle, significantly reducing false alarm rate as compared to standard intelligent features.



Key Features

- High quality imaging with 5MP resolution
- 32x optical zoom, provides close-up details
- Clear imaging against strong backlight due to 130 dB WDR technology
- Auto tracking
- IR range up to 200M
- iQSense technology: Focus on real threats by detecting humans/vehicles only, and filter out other moving objects
- NDAA Compliant

Dimensions



Specification

Camera	
Image Sensor	1/2.8" Progressive Scan CMOS Sensor
Min. Illumination	Color: 0.005 lux @ F1.6 B/W: 0.0005 lux @ F1.6 0 lux (IR light on)
Illuminator Number	2 (IR light) 2 (Laser infrared lamp) 2 (warm light) 2 (Dual light fusion)
Illumination Distance	200 m (IR light) 50 m (warm light)
Wavelength	850nm
IR On/Off Control	Auto/Manual
Active Deterrence LED	1pc red light, 1pc blue light
Smart IR	Support
Shutter Time	Auto/Manual, 1/3 ~ 1/100000s
Day/Night	IR cut filter with auto switch
Wide Dynamic Range	130dB
S/N	>56dB
Digital Noise Reduction	2D/3D DNR
Starlight	Support
Lens	

Focal Length	32X optical zoom/ 16X digital zoom, 4.8 ~ 154 mm
Aperture Range	F1.6 ~ F4.3
Field of View (H)	52.2° ~ 2.2°
Field of View (V)	39.9° ~ 1.7°
Field of View (D)	67.2° ~ 2.8°
Zoom Speed	5.66s
Focus Control	Auto; semi-auto; manual
Pan & Tilt	
Pan Range	360° endless
Pan Speed	Configurable from 0.1° to 240°/s; preset speed: 240°/s
Tilt Range	-15° to +90° (auto flip 180°)
Tilt Speed	Configurable from 0.1° to 80°/s, preset speed 200°/s
Proportional Zoom	Rotation speed can be adjusted automatically according to zoom multiples
Number of Preset	255
Power-off Memory	Support
Patrol	32 automatic patrols
Preset Patrol	32 patrols, up to 32 presets for each patrol
Route Patrol	Support
Recorded Patrol	8 patrols, up to 128 actions for each patrol
Patrol Stay Time	15s ~ 255s
Preset Image Freeze	N/A
Home Position	Support
3D Positioning	Support
Active Deterrence	
Light Warning	Red and blue warning light
Sound Warning	Support
Compression Standard	
Video Compression	Main stream: H.265+/H.265/H.264+/H.264 Sub-stream: H.265/H.264/MJPEG Third stream: H.265/H.264
H.264 Codec Profile	Base/Main/High profile
H.265 Codec Profile	Main Profile
Video Bit Rate	32Kbps ~ 16Mbps
Triple Streams	Support

Audio Compression	G.711A/G.711U
Audio Bit Rate	64 Kbps
Two-way Audio	Support
Suppression	Support
Sampling Rate	8KHz
Image	
Max. Image Resolution	5MP (2592 × 1944)
Main Stream	50Hz: 25fps: 2592 × 1944, 2304 × 1728, 1920 × 1080, 1280 × 960, 1280 × 720 60Hz: 30fps: 2592 × 1944, 2304 × 1728, 1920 × 1080, 1280 × 960, 1280 × 720
Sub Stream	50 Hz: 25 fps (704 × 576, 640 × 480, 352 × 288); 60 Hz: 30 fps (704 × 480, 640 × 480, 352 × 240)
Third Stream	50 Hz: 25 fps (1920 × 1080, 1280 × 960, 1280 × 720, 704 × 576, 640 × 480, 352 × 288); 60 Hz: 30 fps (1920 × 1080, 1280 × 960, 1280 × 720, 704 × 480, 640 × 480, 352 × 240)
U-code	H.264+/H.265+
Image Setting	Brightness/Contrast/Saturation/Hue/Sharpness
White Balance	Support
Image Enhancement	BLC, HLC, 3D/2D DNR
ROI	Support
OSD	Support
Privacy Mask	N/A
Image Stabilization	Electronic (EIS)
Defog	Electronic
Smart Feature	
Basic Event	Motion detection, video shelter
Smart Event	Smart motion detection, line crossing, area intrusion, region entrance, region exiting (support alarm triggering by specified target types (human and vehicle))
Auto Tracking	Support
General Function	IP Address Filtering, Alarm input, Alarm output, Access Policy, RTSP Authentication, User Authentication
Face Detection	Support
Network	
Network Storage	NAS (NFS/CIFS)
Protocols	TCP/IP, ICMP, HTTP, HTTPS, FTP, DHCP, DNS, DDNS, RTP, RTSP, RTCP, NTP, IGMP, UPnP, SMTP, UPnP-TM, P2P
System Compatibility	Onvif (Profile S, G,T), CGI
Security	User authentication, IP address filtering, video mask
User	40
Client	VMS

Web Browsers	Plug-in required live view: IE 10, IE 11 Local service: Chrome 57.0+, Firefox 52.0+
Mobile Surveillance	IOS, Android
Interface	
Communication interface	1 RJ45 10 M/100 M self-adaptive Ethernet port
On-board storage	Up to 512GB
MIC	Support
Speaker	Support
Audio I/O	1/1
Alarm I/O	2/1
Serial Port	N/A
Video Output	N/A
Reset button	Support
General	
Operating Conditions	(-40 °C ~ 70 °C) (-40 °F ~ 158 °F) Humidity 95% or Less (Non-Condensing)
Power Supply	DC36V
POE	PoE++ (802.3.bt)
Power Consumption	MAX. 28 W
Protection Level	IP67
Protection	6000V lightning protection, surge protection and anti-surge protection
Dimensions	7.48" × 13.38" (190 × 339.8 mm)
Gross Weight	16.86lb (7650 g)

Related Accessories

AC-PC06	AC-PJ06	AC-PWC06	AC-PWC05
Corner Mounting Bracket, 194 × 183 × 104 MM	Power Box, 309.9 × 194 × 92.1 MM	Pendent Mounting Bracket, Φ 116×200 MM	Pole Mounting Bracket, Φ 116 × 52 MM
